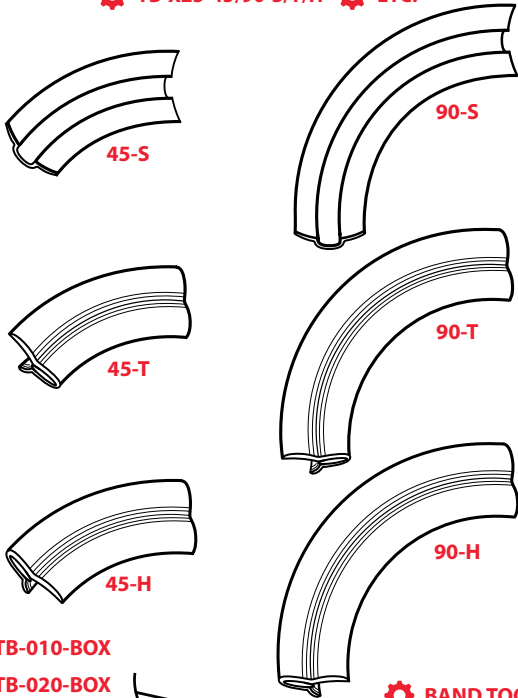




# > TraceBOOST™ Installation Guide

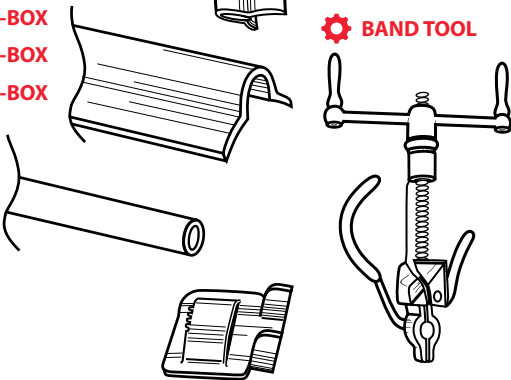


- ⚙️ TB-X09-45/90-S/T/H    ⚙️ TB-X30-45/90-S/T/H
- ⚙️ TB-X15-45/90-S/T/H    ⚙️ TB-X40-45/90-S/T/H
- ⚙️ TB-X20-45/90-S/T/H    ⚙️ TB-X60-45/90-S/T/H
- ⚙️ TB-X25-45/90-S/T/H    ⚙️ ETC.



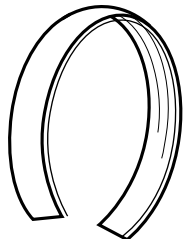
- ⚙️ TB-010-BOX
- ⚙️ TB-020-BOX
- ⚙️ TB-040-BOX
- ⚙️ TB-080-BOX

- ⚙️ BCA4
- ⚙️ BCB4
- ⚙️ BCD4
- ⚙️ BCE4
- ⚙️ BCF4
- ⚙️ BCM4



⚙️ BAND TOOL

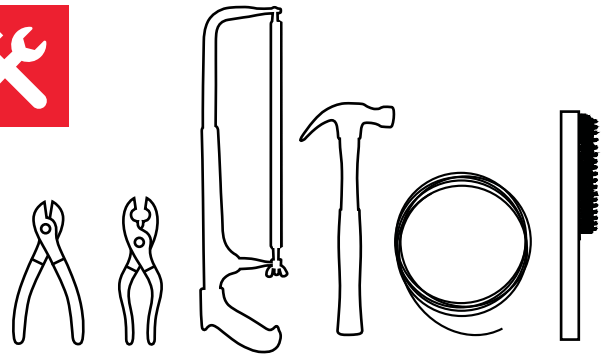
⚙️ BUCKLE-SS-07-100



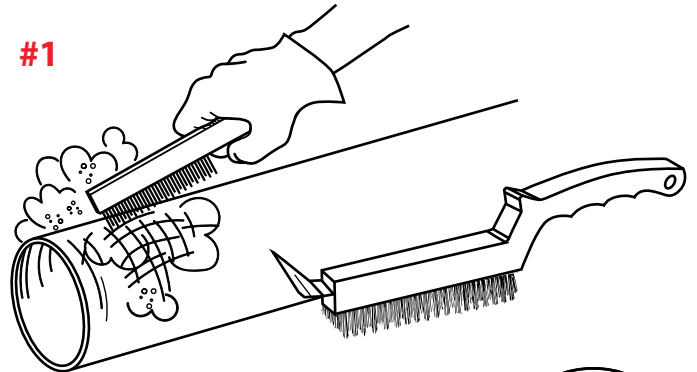
⚙️ BAND-SS-07-100

⚙️ HTC-C-GAL

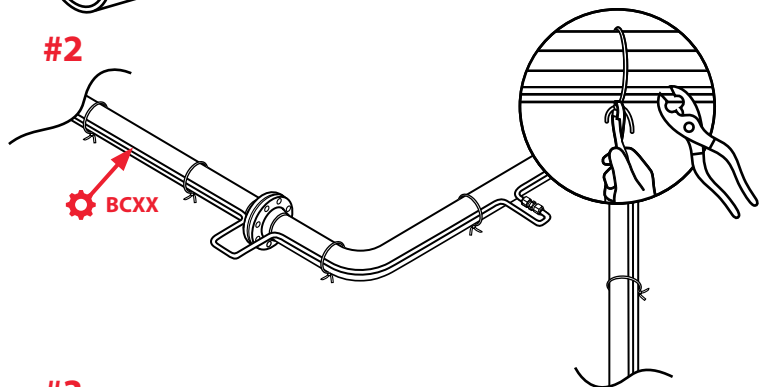
⚙️ TB-PTYKNIFE



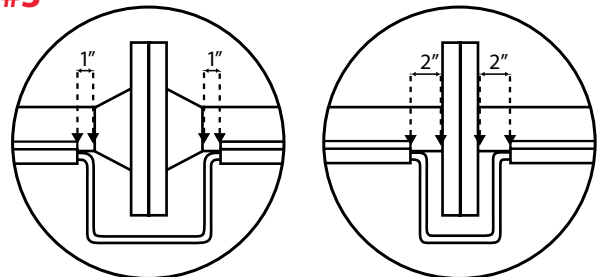
#1



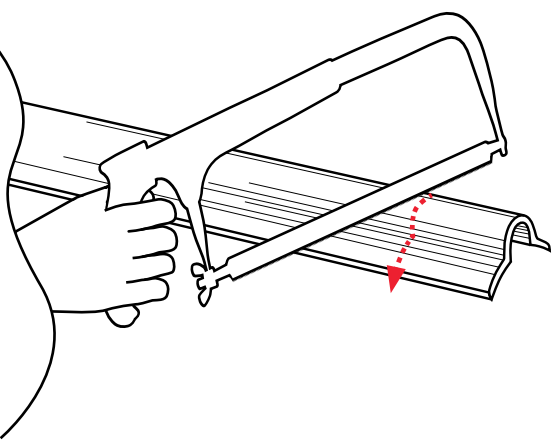
#2



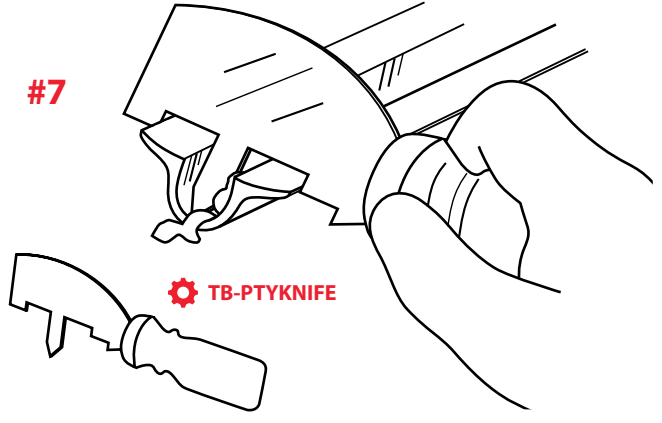
#3



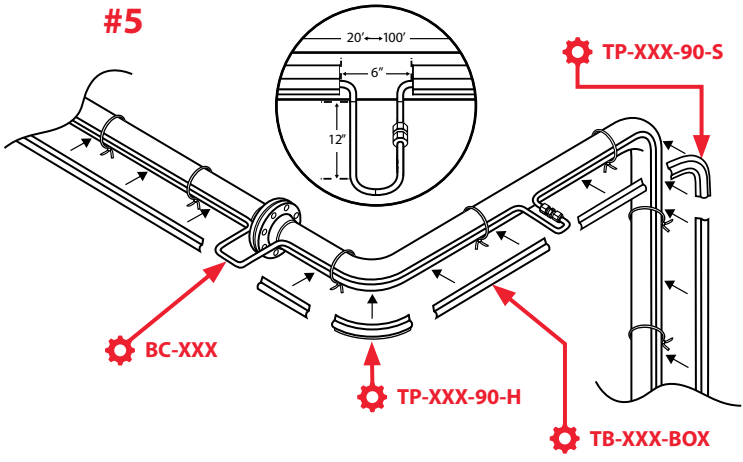
#4



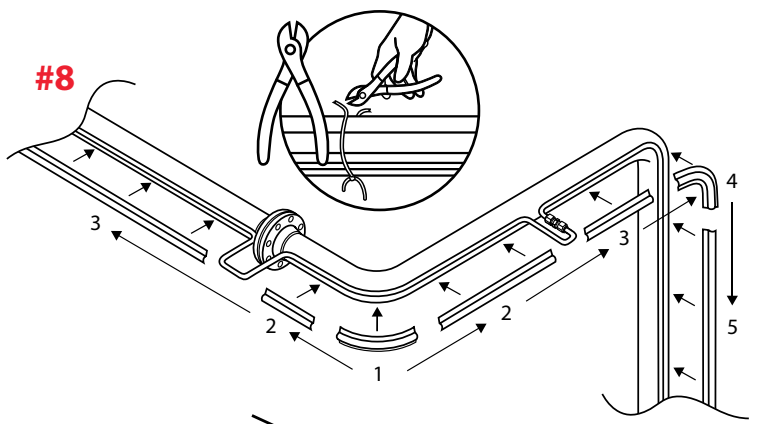
#7



#5

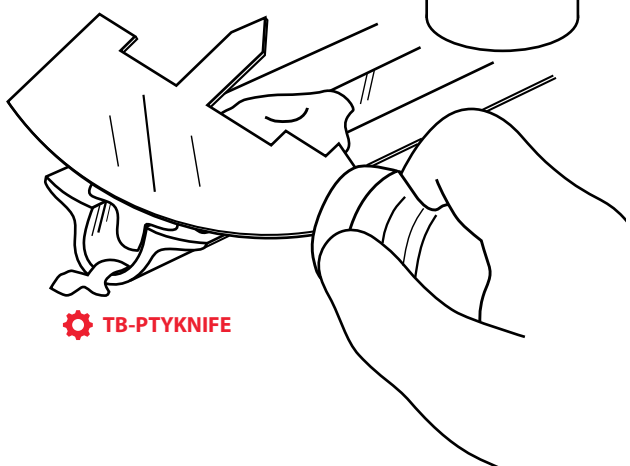


#8



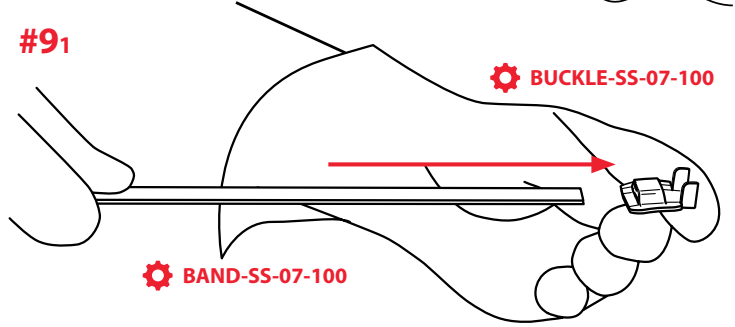
#6

HTC-C-GAL

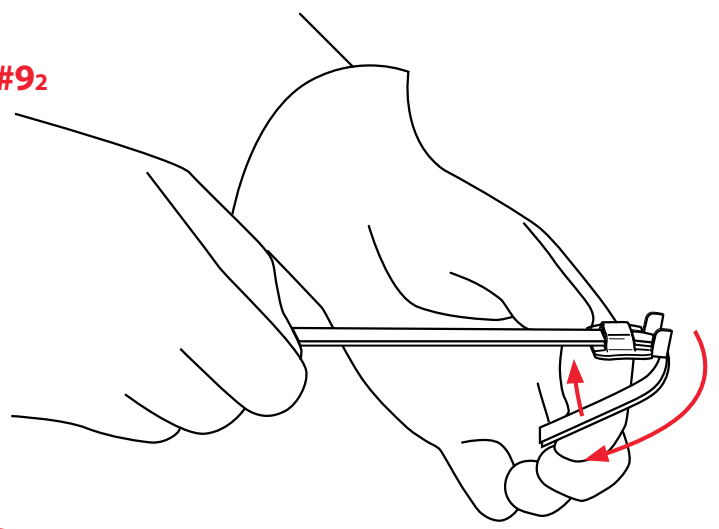


#91

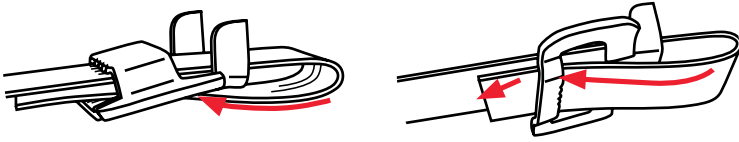
BUCKLE-SS-07-100



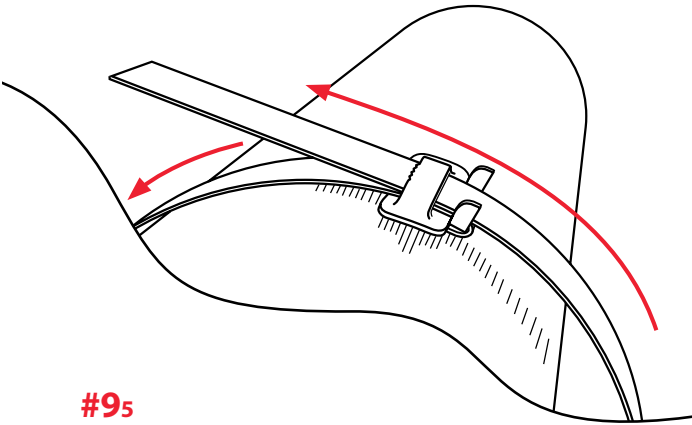
#92



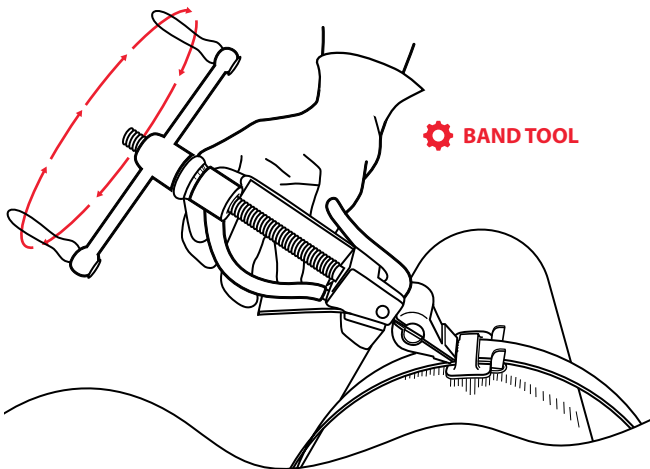
#93



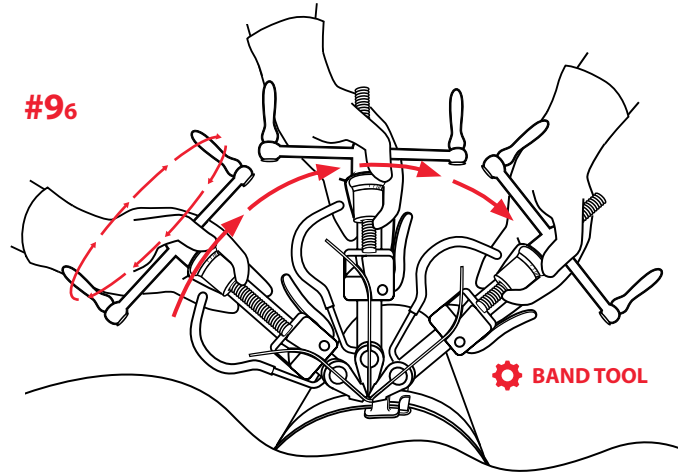
#94



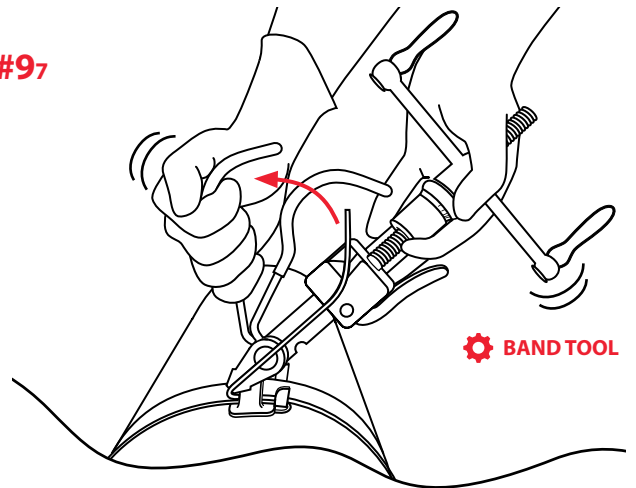
#95



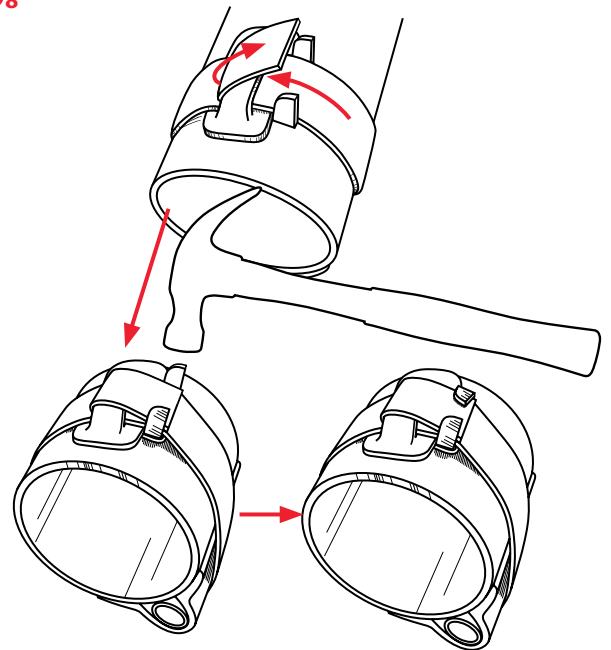
#96



#97

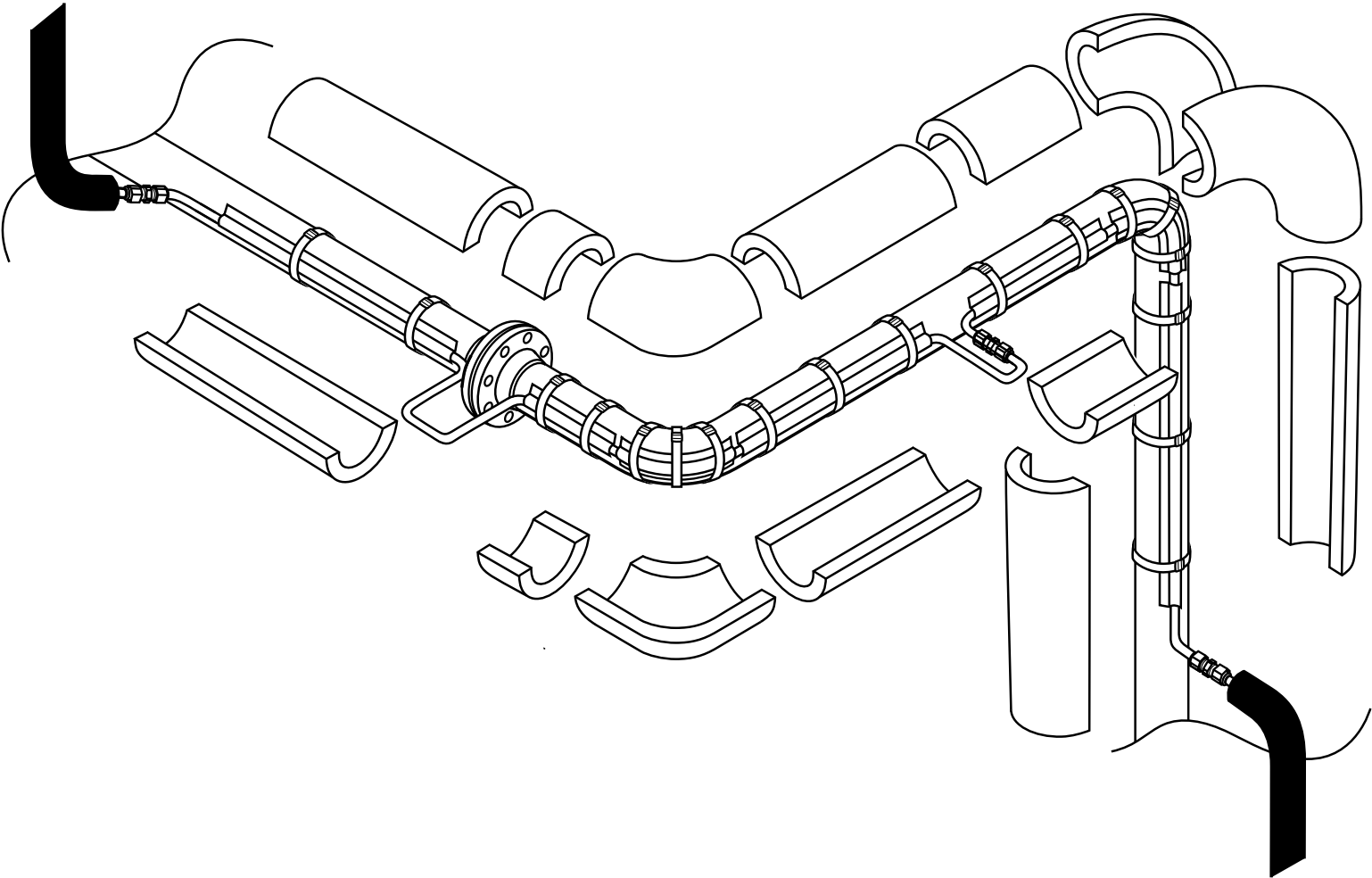


#98



# FINISHED INSTALLATION

*(Insulation By Others)*



© 2016, by AMETEK Inc. All rights reserved. · TRACEBOOST-INST-SF · 15 APRIL 2016



12201 Nations Ford Road  
Pineville, North Carolina • USA  
sales@csiheat.com / www.csiheat.com



1900 Crystal Industrial Court  
St. Louis, Missouri • USA  
obrien.sales@ametek.com / www.obcorp.com