

## The Lookbox Solution from the Makers of ControTrace®

CSI's S<sub>x</sub>View™ ensures inherently safe flow confirmation in Sulfur Recovery Unit rundown lines.

### Benefits

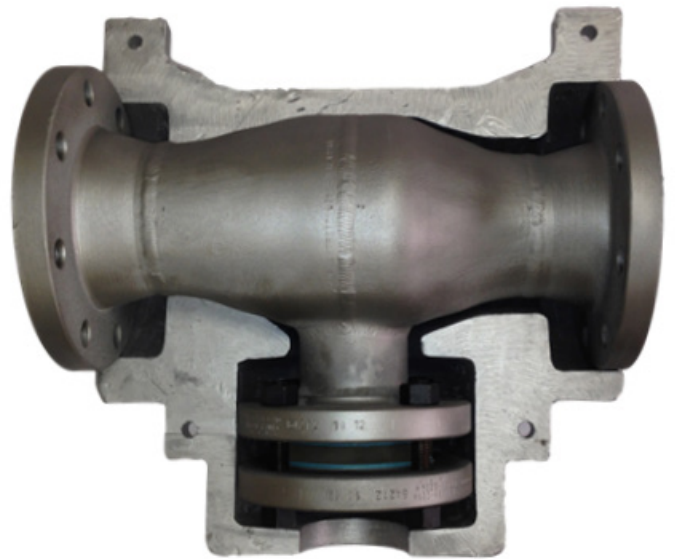
- **Inherently Safe:** Flow confirmation without exposing operator to harmful gases or splashes.
- **No sight glass fogging:** Sulfur continually contacts sight glass during operation to prevent freezing.
- **Easy to install:** Low elevation drop requirements.
- **No flow blockage:** Rod-out capabilities maintained.
- **Easy to maintain:** No weir to potentially collect debris.

### Standard Features

- Patent-pending design.
- Small slipstream of flow is diverted to the sight glass, ensuring that the operator can confirm flow even at extremely low flow rates.
- Carbon Steel material, with 1/2" thick sight glass.
- Fully jacketed with **CSI ControHeat** bolt on steam jacket.
- Robust design, with no moving parts or flow blockages.
- Units available for piping runs with horizontal flow (**Model H**) or vertical flow (**Model V**).
- Flow sampling option available upon request.



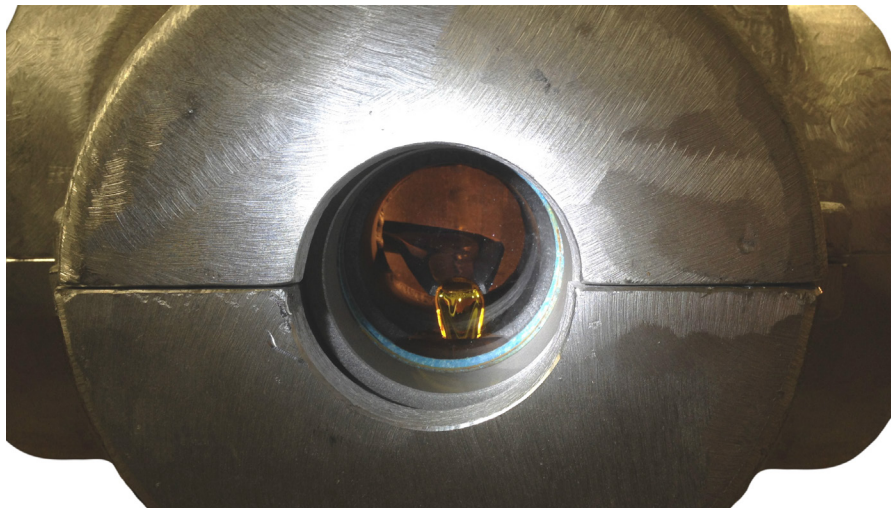
The S<sub>x</sub>View™ is backed by CSI's engineering expertise, expansive production capacity, and exemplary customer service. CSI's S<sub>x</sub>View™ delivers the technical and commercial value you've come to expect from CSI for over 50 years.



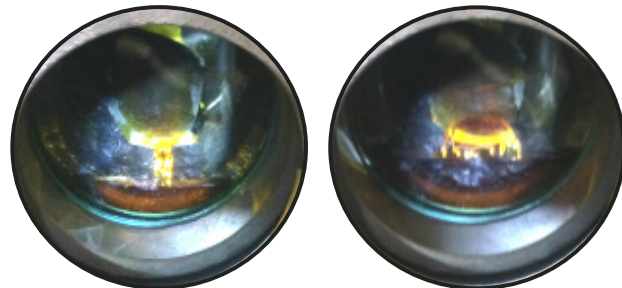
The S<sub>x</sub>View™ **Model H** shown with lower half of **ControHeat** Jacket.



## S<sub>x</sub>View™ Operating with Liquid Sulfur

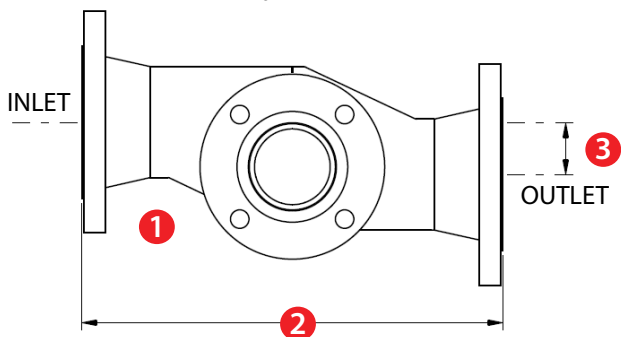


### Example Flow Rates

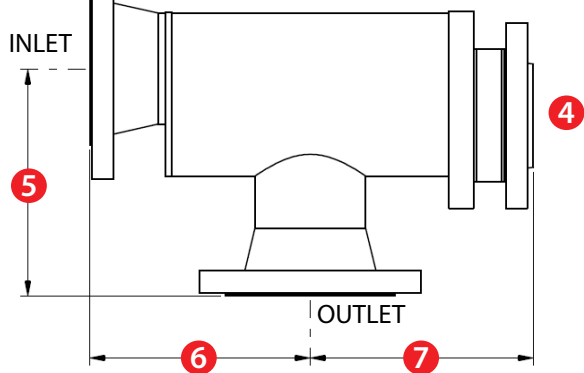


### Examples of Standard Unit Designs

**Model H**  
With WNF\*



**Model V**  
With WNF\*



**No Splashing!**

**No Vapor Exposure!**

**No Sight Glass Fogging!**

Core Pipe Size:	3" NPS	4" NPS	6" NPS
<b>Horizontal Unit</b>			
① Sight Port Size	3"	3"	3"
② Face to Face**	16 1/2"	17"	19"
③ Elevation Offset	3 1/8"	2 1/8"	2"
<b>Vertical Unit</b>			
④ Sight Port Size	3"	3"	3"
⑤ Elevation Offset**	9 1/8"	9 1/4"	11 1/16"
⑥ Inlet Run**	8 5/8"	9"	10 7/8"
⑦ Sight Glass Run	11 1/2"	11 1/2"	12 7/8"

\*\* Reducing flanges may result in different dimensions

\*Designs with S.O. flanges may also be available

